

EAST-ADL: the art of design of embedded electronic architectures

D'JET SERVICE OFFER IN THE FIELD OF ITS

- Consulting, expertise,
- Functional analysis,
- Definition of system specifications,
- Projects: assistance in setting up, writing responses to R&D calls for projects, coordination, animation and project management.

MORE INFORMATION ON OUR TRAINING COURSES ON:

www.djet.fr

D'JET Conseil is a creation of Jacques Ehrlich Research Entrepreneur
contact@djet.fr

EAST-ADL: A COMPLETE SOLUTION TO DEVELOP YOUR VEHICLE PROJECT

Whether to develop a prototype or an industrial product, EAST-ADL is the modelling tool that integrates all stages of development from functional requirements to physical implementation. EAST-ADL makes it possible to describe in a structured way the organization of the various components (hardware or software) constituting an embedded electronic architecture. In addition, EAST-ADL supports preliminary risk analysis in accordance with ISO 26262.

DIFFERENT MODELING LEVELS

Four levels of modelling are proposed, allowing a clear separation of hardware and software components. EAST-ADL integrates the concept of platform allowing to describe a vehicle with its variants and options, or even a set of vehicles as being derived from a generic platform.

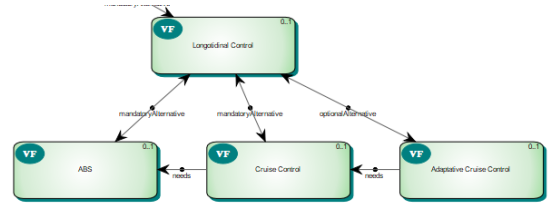
EAST-ADL integrates the description of the functional and technical system specifications, thus ensuring that the architecture meets all previously defined requirements.

EAST-ADL allows the development of a preliminary hazard analysis (PHA) and Dependency Model in accordance with ISO 26262.

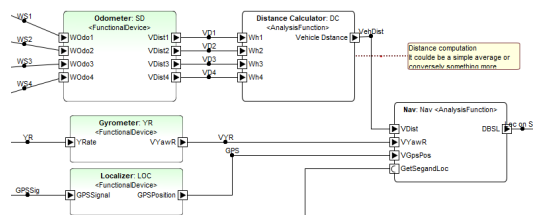
The EAST-ADL training uses MetaEdit+ modelling software from Metacase, a highly configurable tool that offers many export possibilities to other software (SIMULINK, HIP-HOPS, AUTOSAR etc.)

DJET EAST-ADL TRAINING

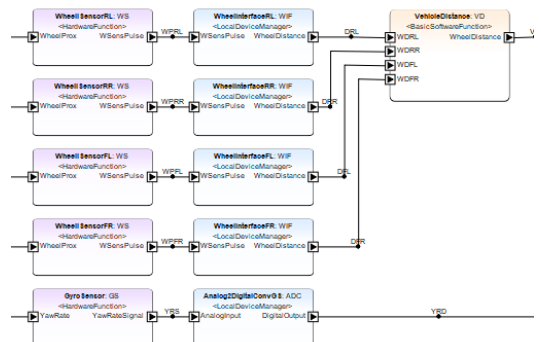
DJET training relies on a balance between theoretical contributions and practical exercises as well as the complete realization of a case study.



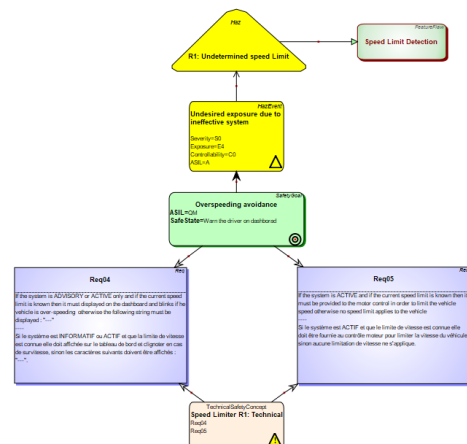
VEHICLE FEATURES



FUNCTIONAL ANALYSIS ARCHITECTURE



FUNCTIONAL DESIGN ARCHITECTURE



PRELIMINARY HAZARD ANALYSIS AND DEPENDABILITY MODEL